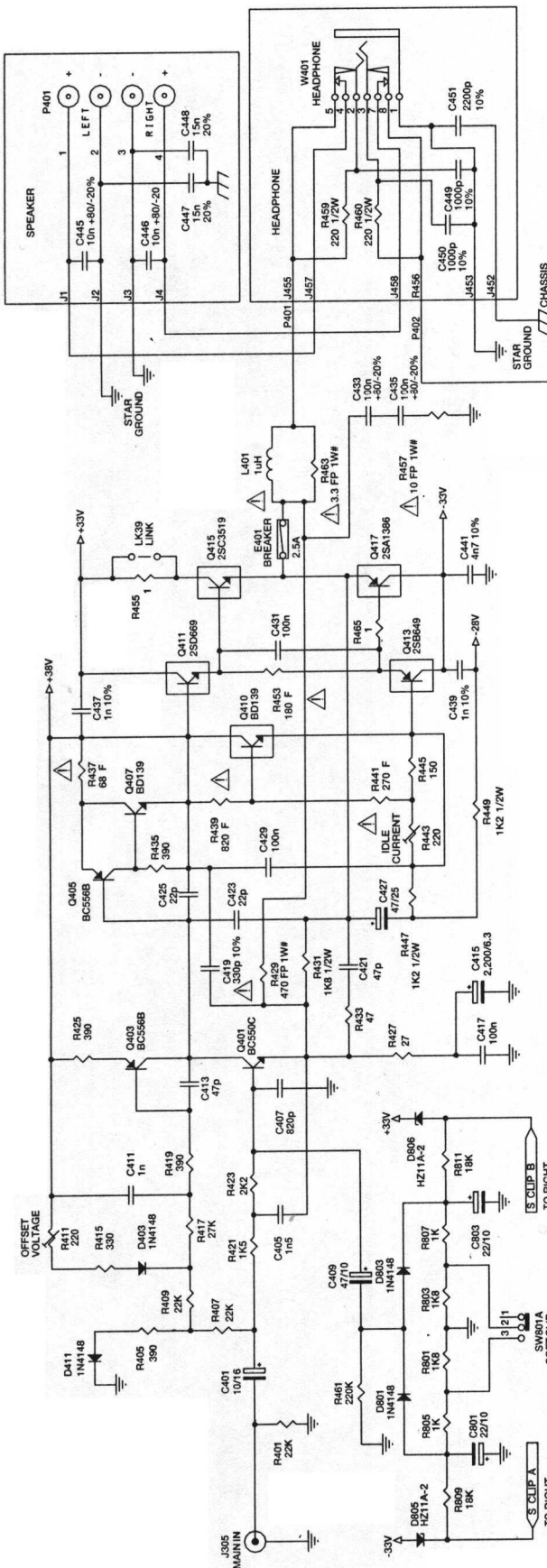
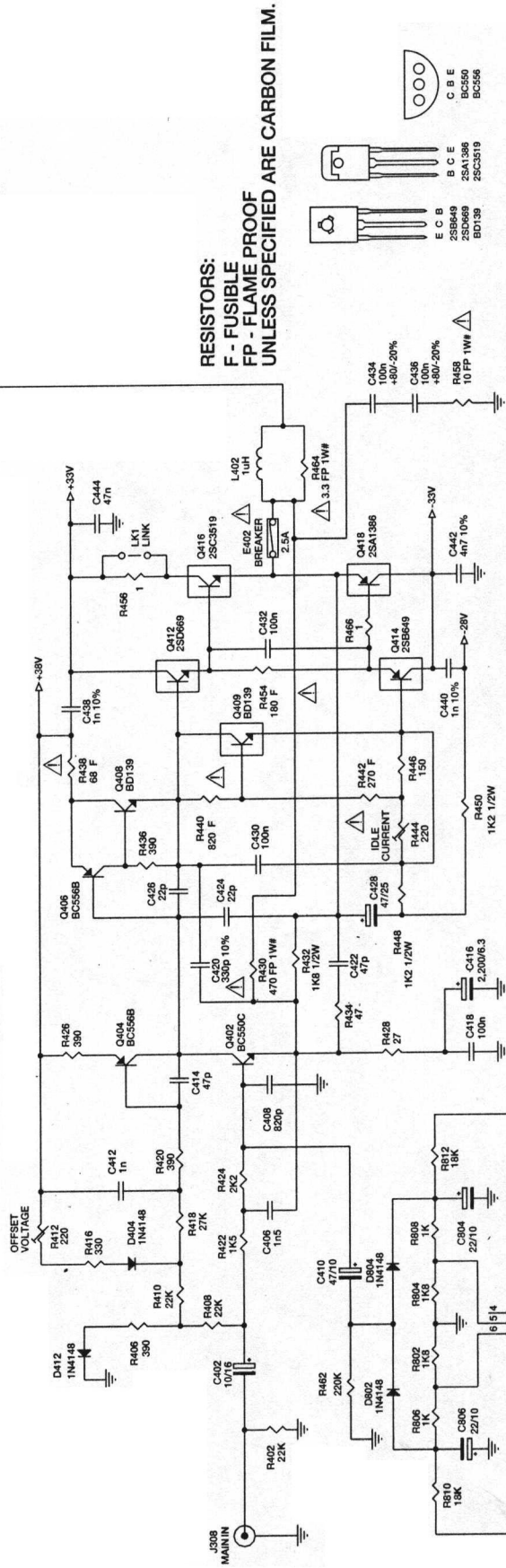


POWER AMPLIFIER

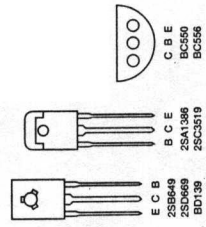


LEFT POWER AMP



RIGHT POWER AMP

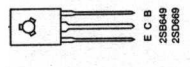
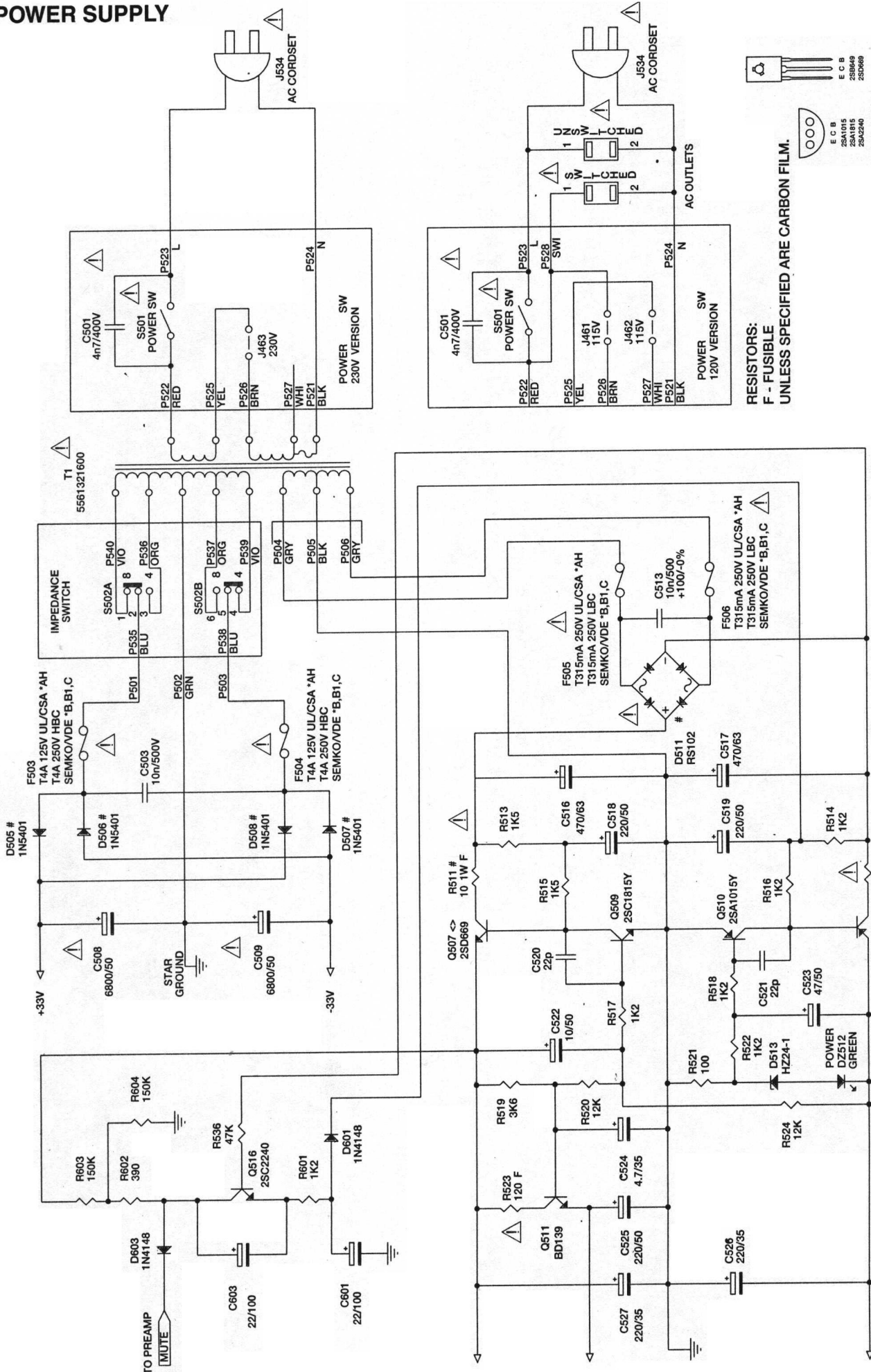
RESISTORS:
F - FUSIBLE
F - FLAME PROOF
UNLESS SPECIFIED ARE CARBON FILM.



- C B E
- 25B969
- 25D969
- BD139
- B C E
- 25A1386
- BD139
- 25C3519

- NOTE: 1. RESISTORS, UNLESS OTHERWISE SPECIFIED ARE 1/4W.
 2. ALL CERAMIC CAPACITORS, UNLESS OTHERWISE SPECIFIED ARE 50V, 5%.
 3. BLOCKED TRANSISTORS ARE MOUNTED ON MAIN HEATSINK.
 4. COMPONENTS MARKED WITH "Δ" ARE SAFETY CRITICAL PART
 5. COMPONENTS MARKED WITH "# " ARE ELEVATED FROM PCB.

POWER SUPPLY

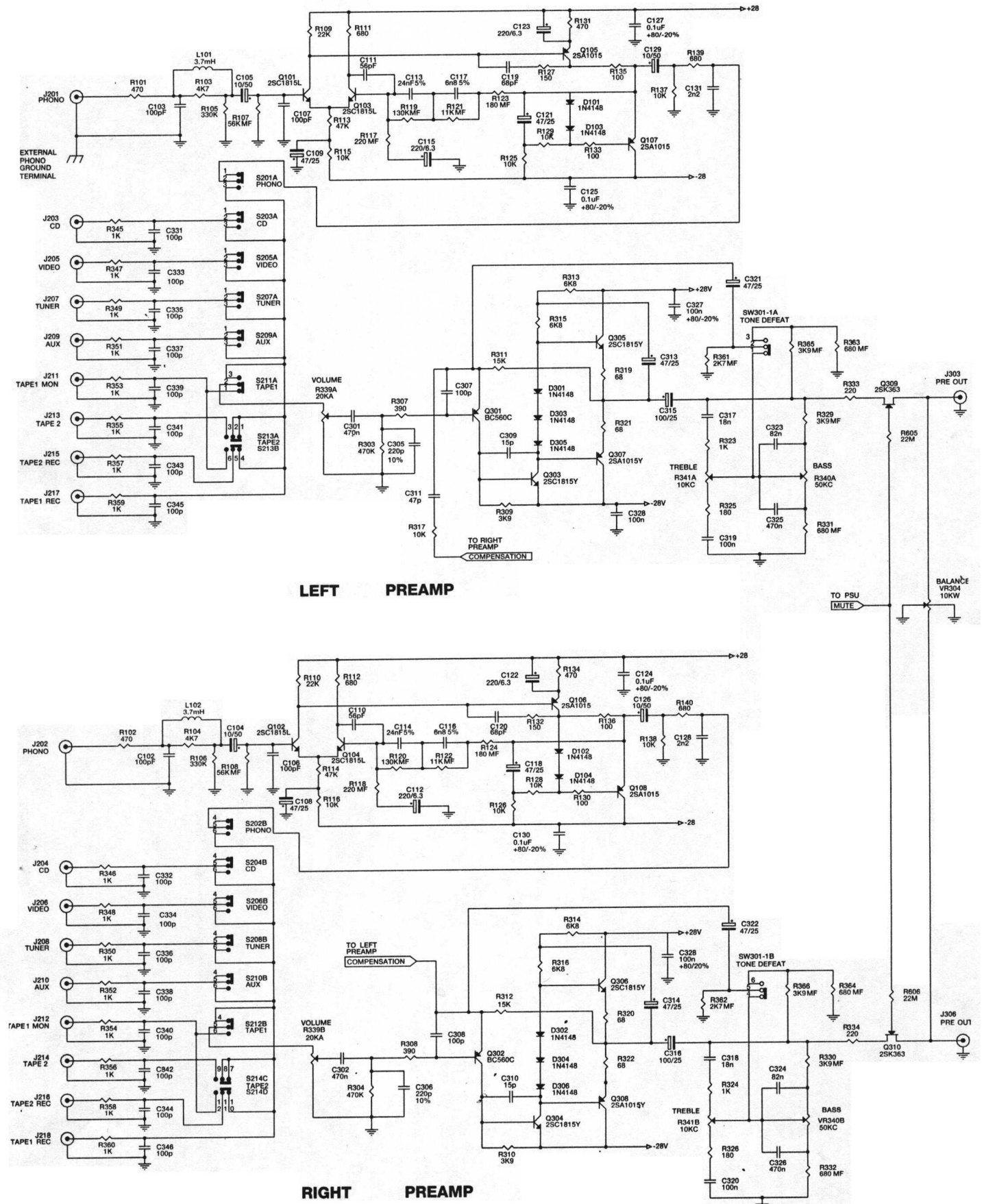


- NOTE: 1. RESISTORS, UNLESS OTHERWISE SPECIFIED ARE 1/4W.
2. ALL CERAMIC CAPACITORS, UNLESS OTHERWISE SPECIFIED ARE 50V, 5%.
3. COMPONENTS MARKED WITH "△" ARE SAFETY CRITICAL PARTS.
4. COMPONENTS MARKED WITH "# " ARE ELEVATED FROM PCB.
5. COMPONENTS MARKED WITH " <-> " ARE MOUNTED ON SMALL HEATSINK.

POWER SUPPLY

SCHEMATIC DIAGRAM

PREAMP



LEFT PREAMP

RIGHT PREAMP

RESISTORS:
 MF - METAL FILM
 UNLESS SPECIFIED
 ARE CARBON FILM.



NOTE: 1. RESISTORS, UNLESS OTHERWISE SPECIFIED ARE 1/4W.
 2. ALL CERAMIC CAPACITORS, UNLESS OTHERWISE SPECIFIED ARE 50V, 5%.